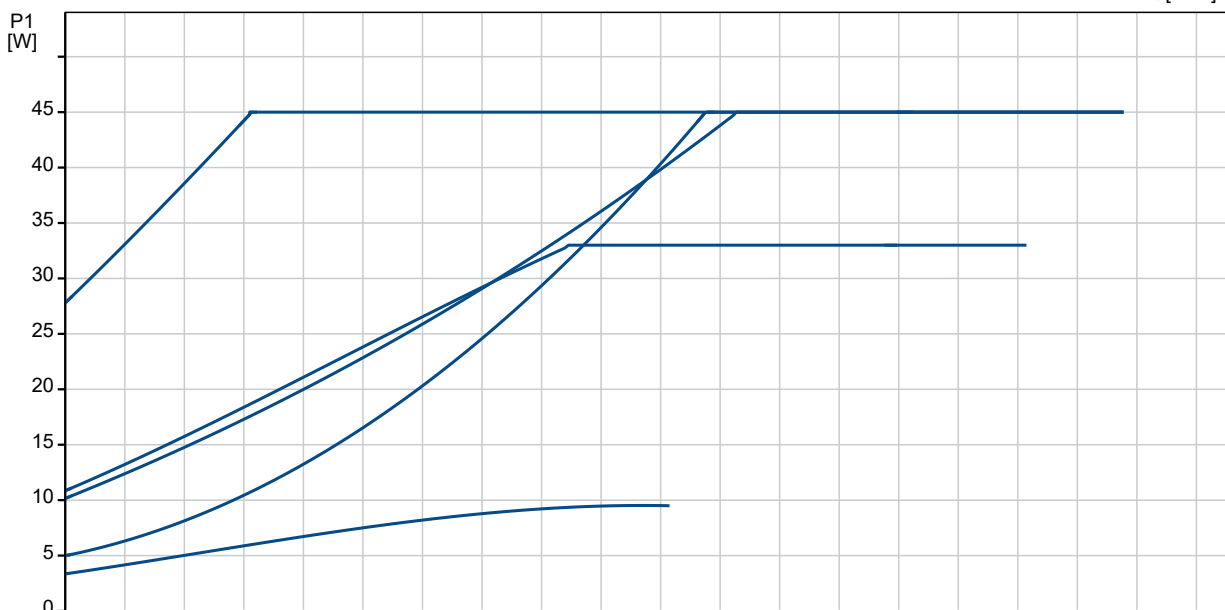
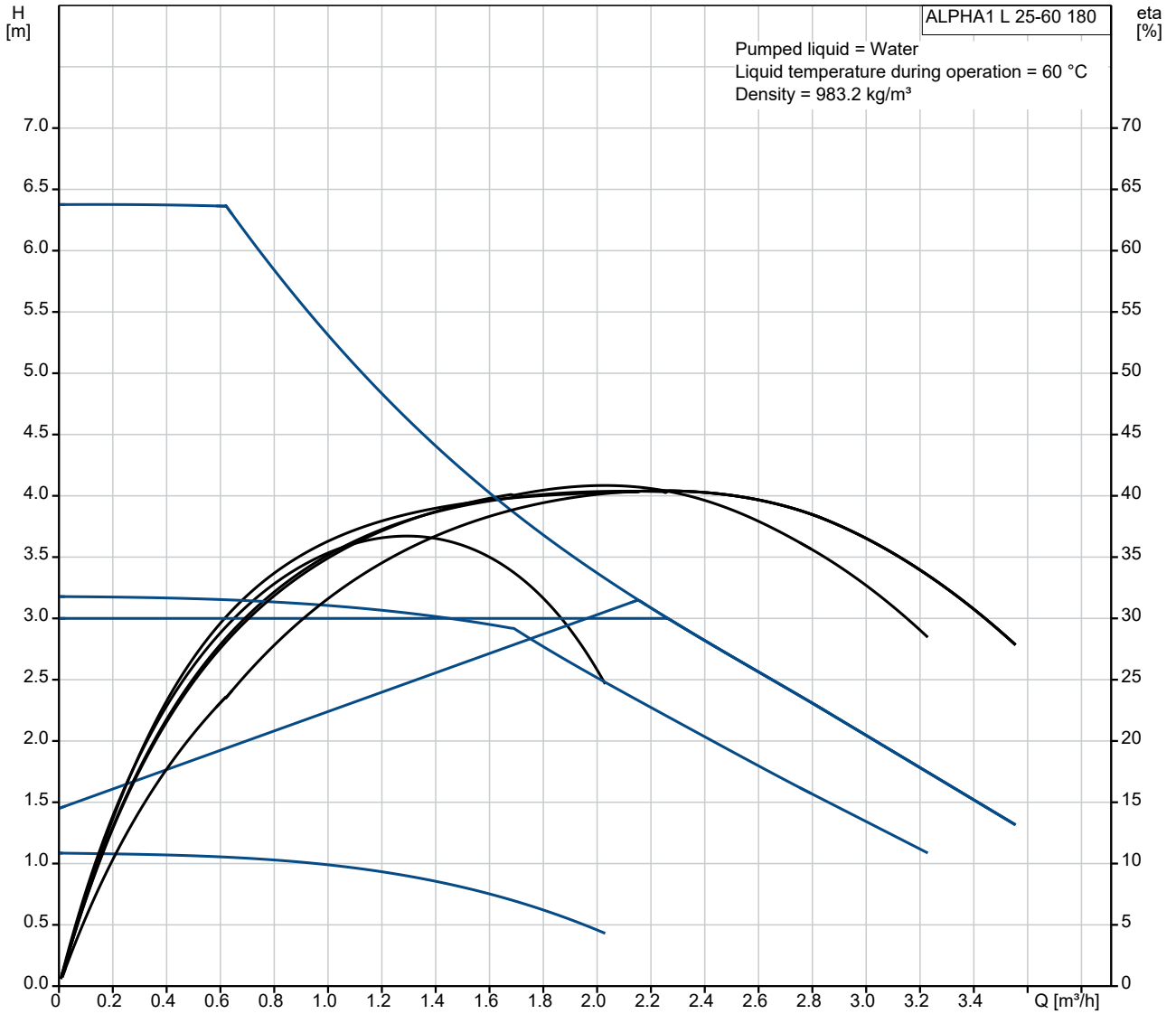
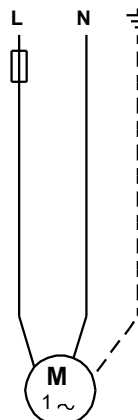
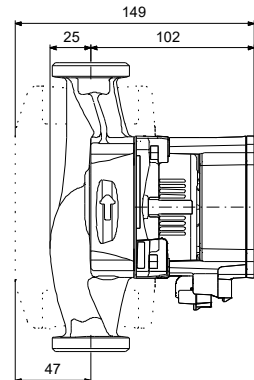
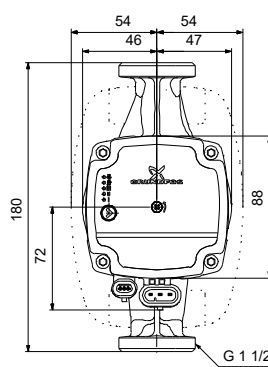
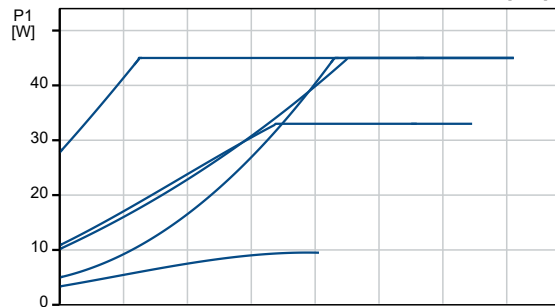
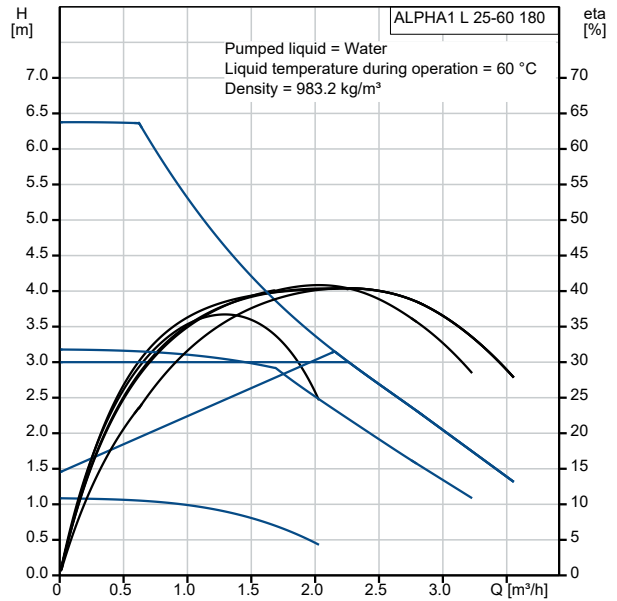


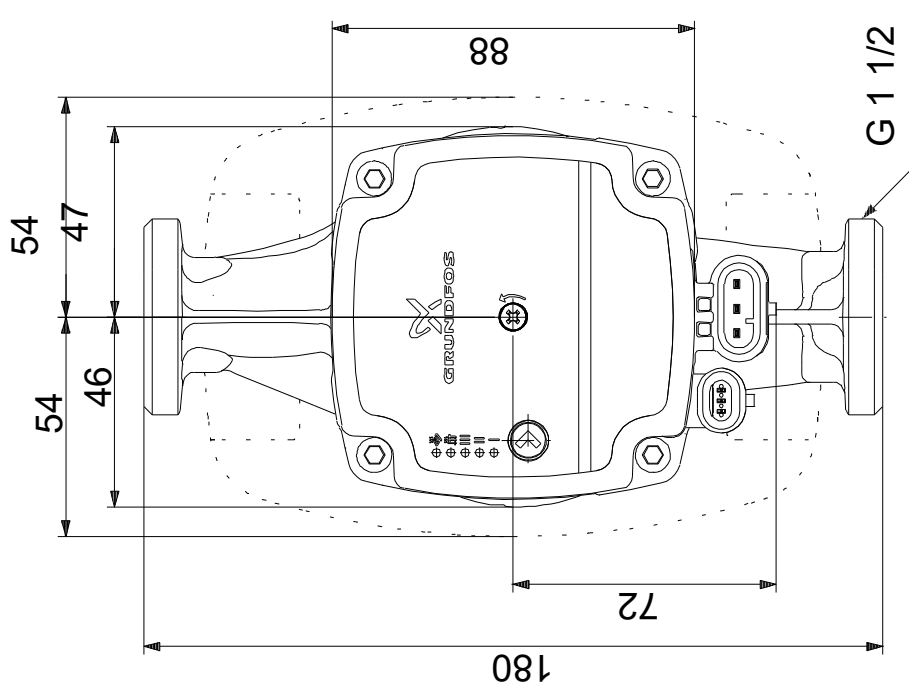
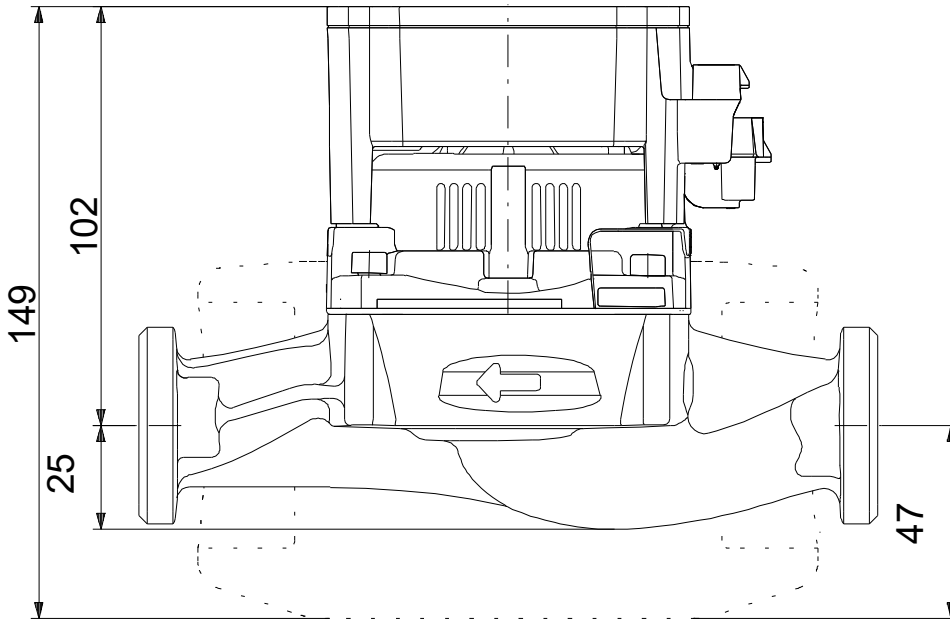
99160584 ALPHA1 L 25-60 180



Description	Value
General information:	
Product name:	ALPHA1 L 25-60 180
Product No:	99160584
EAN number:	5712607862787
Price:	
Technical:	
Head max:	60 dm
TF class:	95
Approvals on nameplate:	CE,VDE,EAC
Model:	C
Materials:	
Pump housing:	Cast iron
Pump housing:	EN 1561 EN-GJL-150
Pump housing:	ASTM ASTM A48-150B
Impeller:	Composite/PES 30 % GF
Installation:	
Range of ambient temperature:	0 .. 55 °C
Maximum operating pressure:	10 bar
Pipe connection:	G 1 1/2
Pressure rating:	PN 10
Port-to-port length:	180 mm
Liquid:	
Pumped liquid:	Water
Liquid temperature range:	2 .. 95 °C
Selected liquid temperature:	60 °C
Density:	983.2 kg/m ³
Electrical data:	
Power input - P1:	4 .. 45 W
Mains frequency:	50 / 60 Hz
Rated voltage:	1 x 230 V
Maximum current consumption:	0.05 .. 0.42 A
Enclosure class (IEC 34-5):	X4D
Insulation class (IEC 85):	F
Motor protec:	NONE
Thermal protec:	ELEC
Controls:	
Pos term box:	6H
Others:	
Energy (EEL):	0.20
Net weight:	2.06 kg
Gross weight:	2.2 kg
Shipping volume:	0.004 m ³

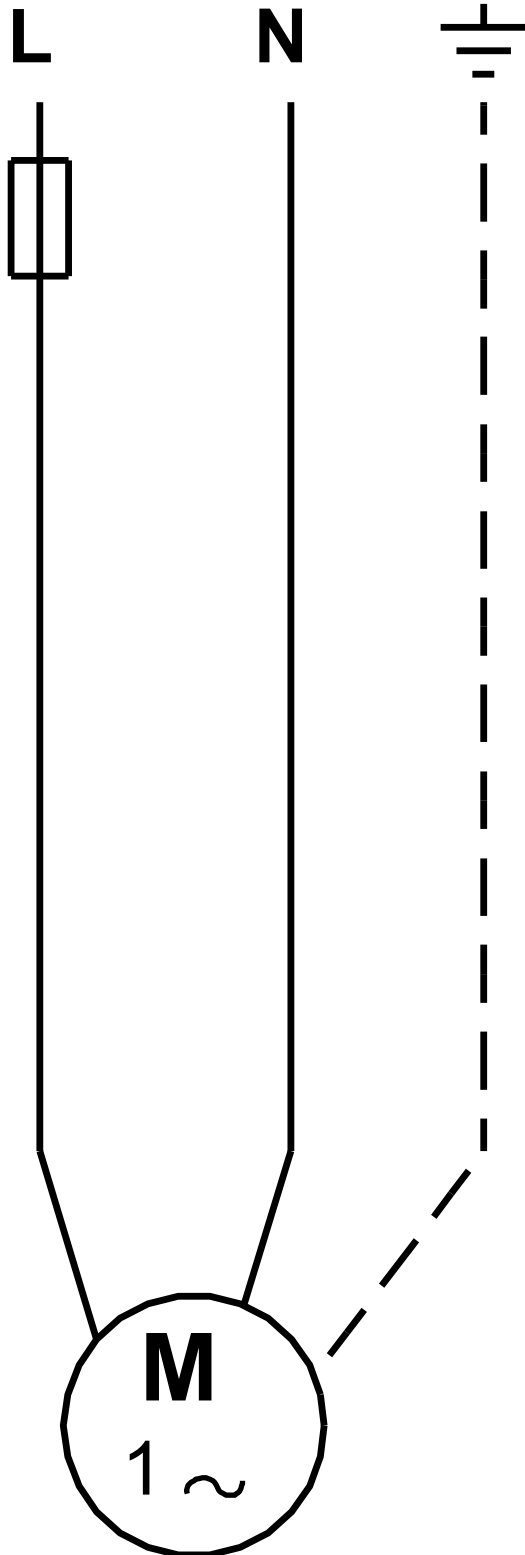


99160584 ALPHA1 L 25-60 180



Note! All units are in [mm] unless others are stated.
 Disclaimer: This simplified dimensional drawing does not show all details.

99160584 ALPHA1 L 25-60 180



Note! All units are in [mm] unless others are stated.