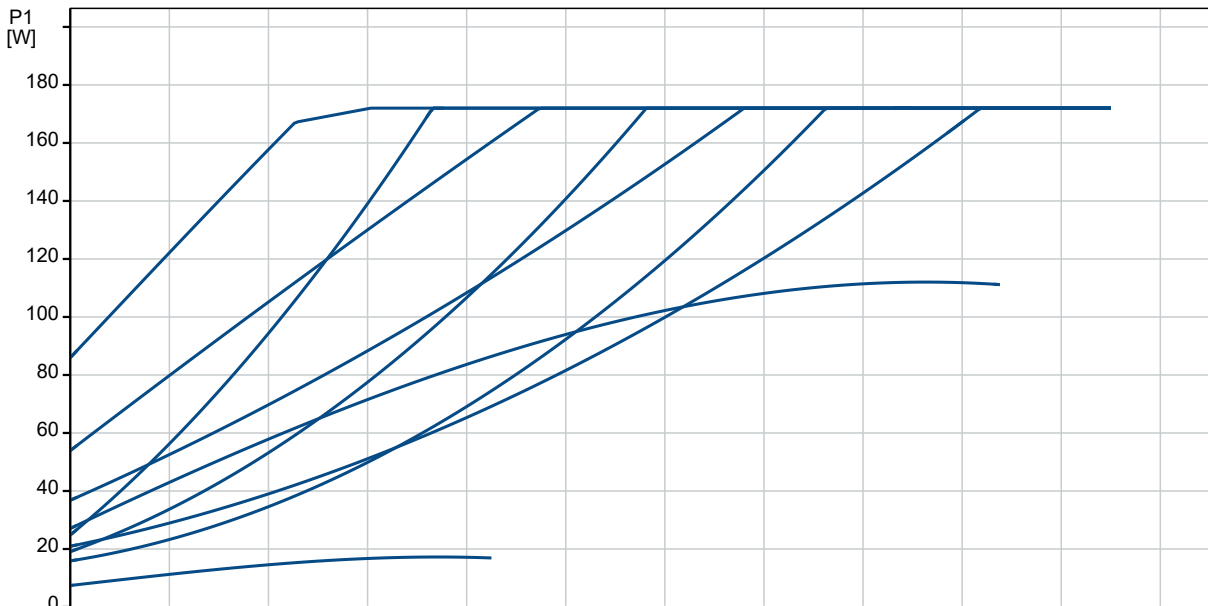
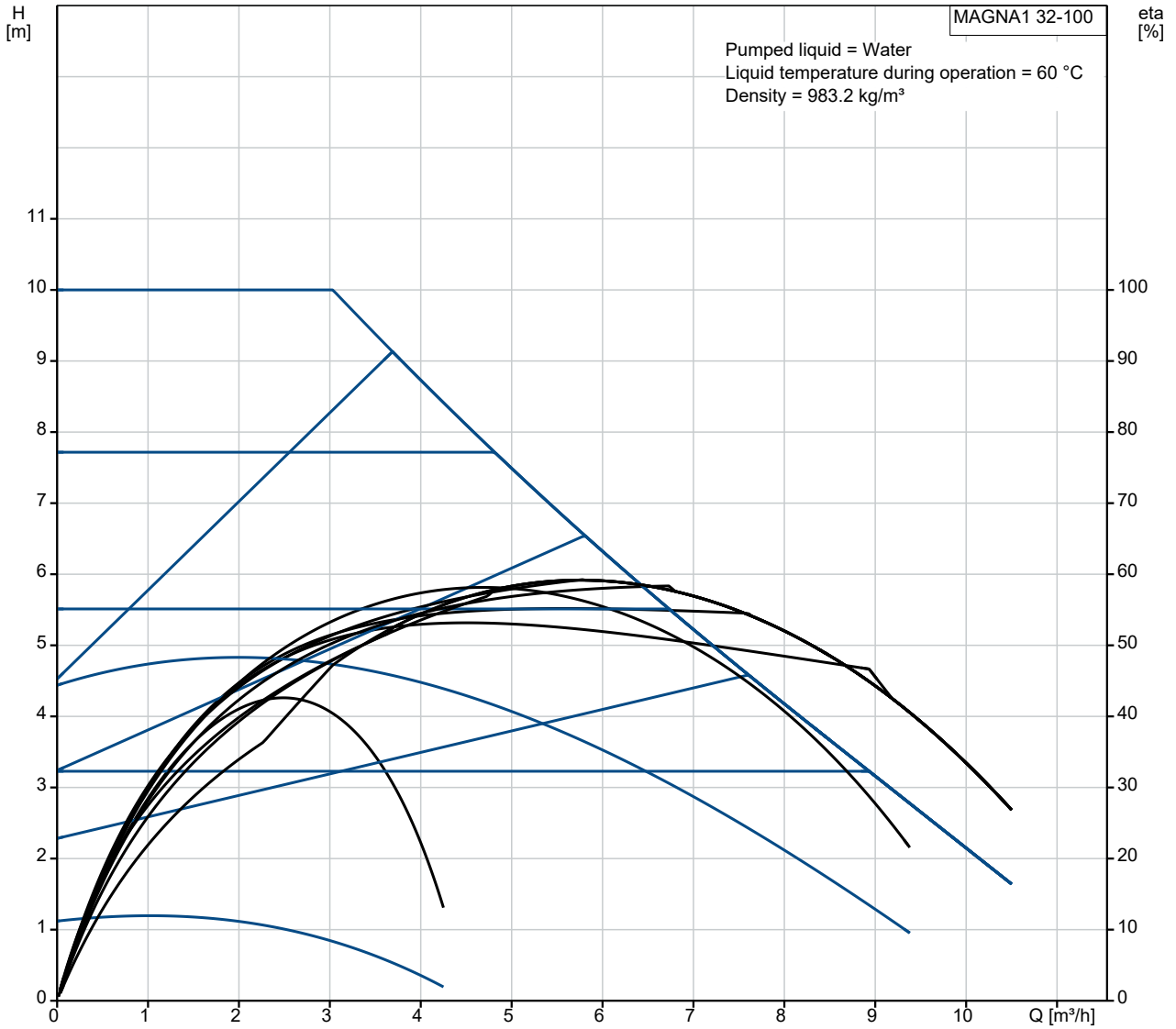
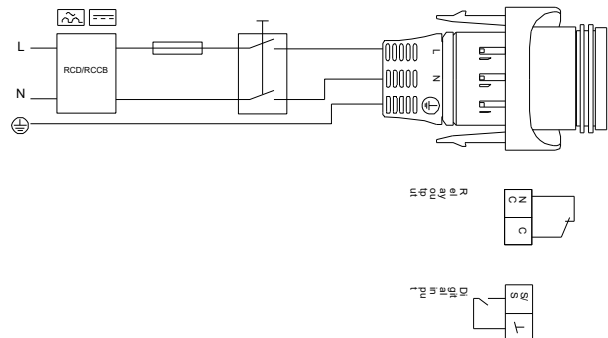
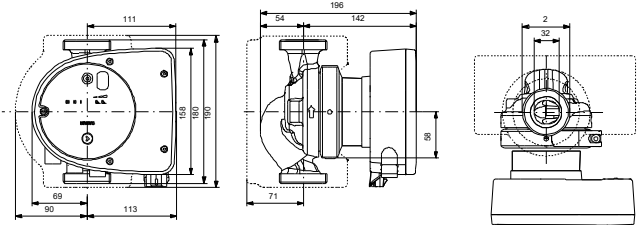
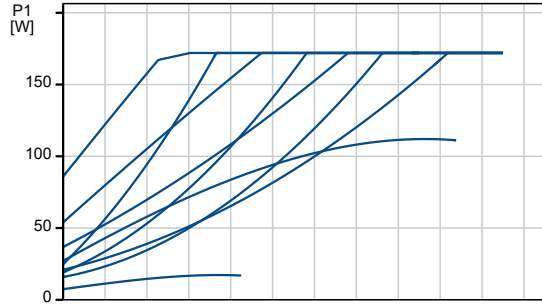
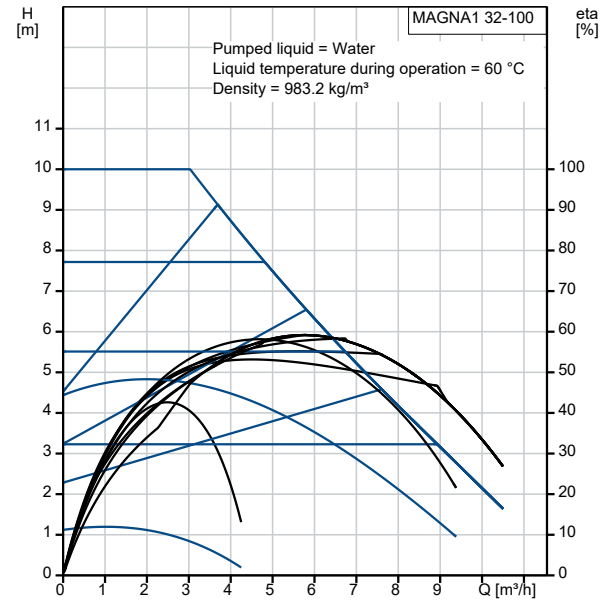


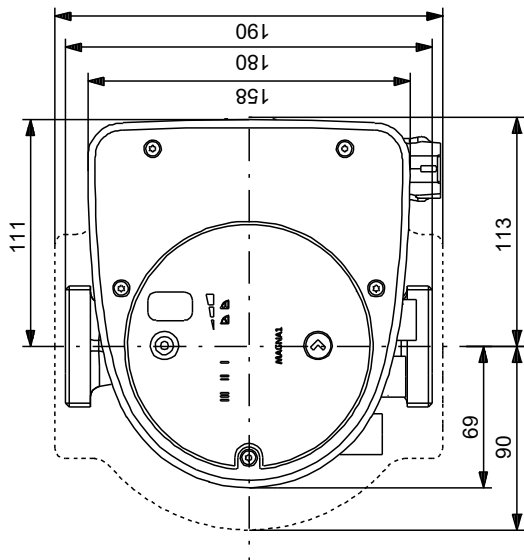
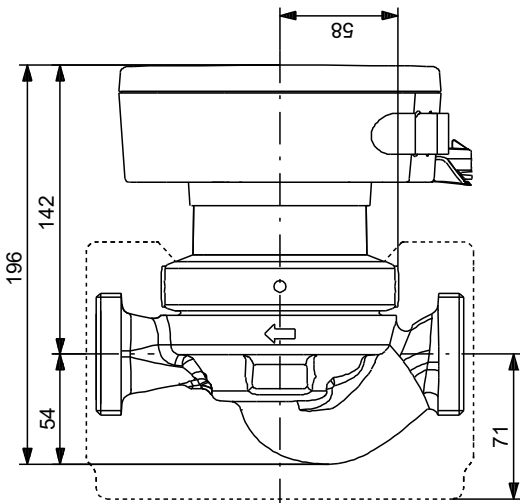
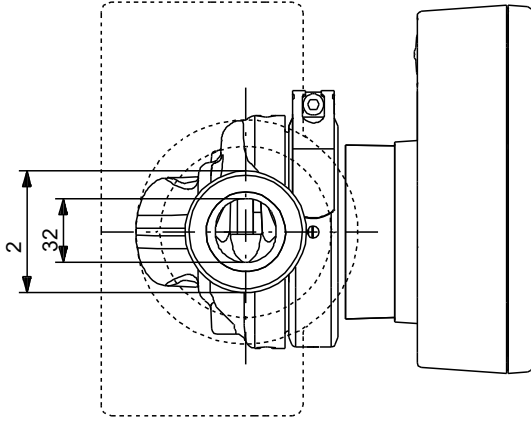
**99221236 MAGNA1 32-100**



Description	Value
<b>General information:</b>	
Product name:	MAGNA1 32-100
Product No:	99221236
EAN number:	5712608942099
Price:	
<b>Technical:</b>	
Head max:	100 dm
TF class:	110
Approvals on nameplate:	CE,VDE,EAC,CN ROHS,WEEE
Model:	C
<b>Materials:</b>	
Pump housing:	Cast iron
Pump housing:	EN-GJL-200
Pump housing:	ASTM A48-200B
Impeller:	PES 30%GF
<b>Installation:</b>	
Range of ambient temperature:	0 .. 40 °C
Maximum operating pressure:	10 bar
Pipe connection:	G 2"
Pressure rating:	PN 10
Port-to-port length:	180 mm
<b>Liquid:</b>	
Pumped liquid:	Water
Liquid temperature range:	-10 .. 110 °C
Selected liquid temperature:	60 °C
Density:	983.2 kg/m <sup>3</sup>
<b>Electrical data:</b>	
Power input - P1:	8 .. 175 W
Mains frequency:	50 / 60 Hz
Rated voltage:	1 x 230 V
Maximum current consumption:	0.08 .. 1.41 A
Enclosure class (IEC 34-5):	X4D
Insulation class (IEC 85):	F
<b>Others:</b>	
Energy (EEI):	0.20
Net weight:	4.63 kg
Gross weight:	5.33 kg
Shipping volume:	0.013 m <sup>3</sup>
Finnish LVI No.:	4615307

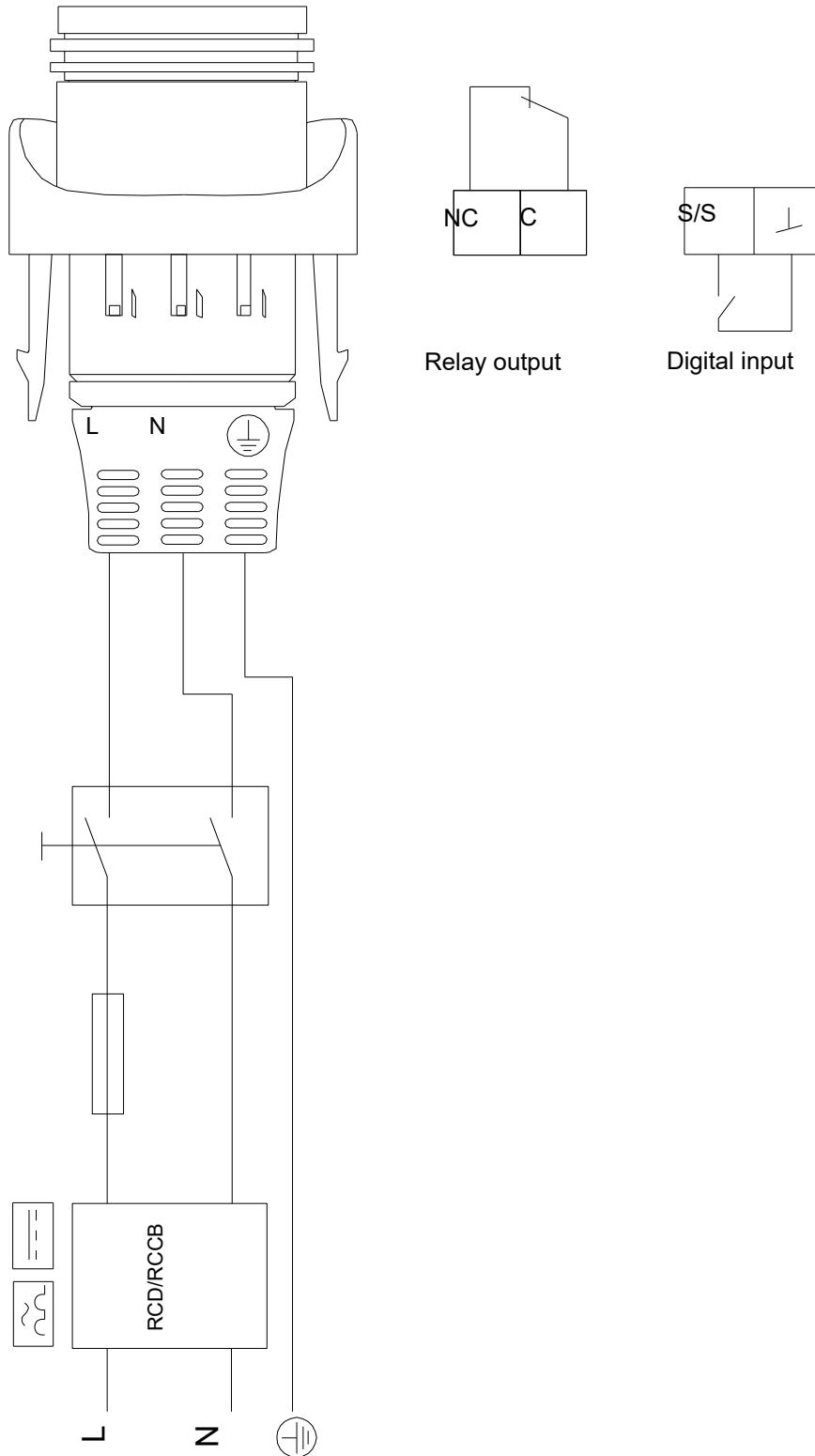


**99221236 MAGNA1 32-100**



Note! All units are in [mm] unless others are stated.  
 Disclaimer: This simplified dimensional drawing does not show all details.

**99221236 MAGNA1 32-100**



Note! All units are in [mm] unless others are stated.